

HEINE QUALITY
MADE IN GERMANY



∴ HEINE BETA[®] 200 / 400 LED F.O. Otoscopes

Diagnostic in top form with LED^{HQ} illumination



∴ HEINE BETA[®] 200/400 LED F.O. Otoscopes

Product Summary



The HEINE BETA 200/400[®] F.O. LED Otoscopes are the most advanced high quality otoscopes making more details visible with multi-coated precision optics for sharp spatial images, truly providing for the best diagnosis. LED^{HQ} provides optimal brightness, colour rendering and a lifetime of more than 100.000 hours, which means you will never have to exchange the LED. With a large field of view the ear canal and tympanum are clearly visible at a glance.



PERFORMANCE
FUNCTION
DURABILITY



HEINE BETA® 200/400 LED F.O. Otoscopes

Performance Function Durability



LED NOW IN HEINE QUALITY.



LIGHT INTENSITY



THERMAL
MANAGEMENT



HOMOGENEITY

**LONG
LIFE**

DURABILITY

**CRI
97**

COLOUR
RENDERING

Feature

LED in HQ:

- ⌘ Approx. 3,500 K, CRI: 97, R9: > 93
- ⌘ Light intensity: approx. 77,000 lux with tip
- ⌘ Lifetime of the LEDs: approx. 100,000 h
- ⌘ Brightness control between 100 % and 3%

Benefit

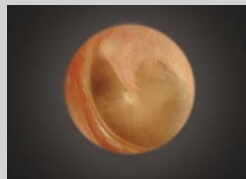
- ⌘ Better recognition of abnormalities in ear canal
- ⌘ Optimal illumination even with smallest tip
- ⌘ Longer working time (energy efficient)
- ⌘ No bulb exchange (cost savings, maintenance-free)



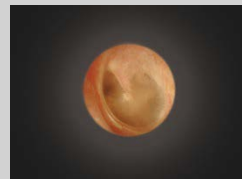
HEINE BETA® 200/400 LED F.O. Otoscopes



BETA 400



BETA 400 LED F.O.
Otoscope with 4.2x
magnification



Conventional
Otoscope with 2x
magnification

BETA 200



∴ HEINE BETA® 200/400 LED F.O. Otoscopes

Performance Function Durability



Feature

Large field of view

Benefit

- ∴ Provides necessary overview
- ∴ Perfect orientation during examinations



∴ HEINE BETA® 200/400 LED F.O. Otoscopes

Performance Function Durability

Feature

Multi-coated precision optics

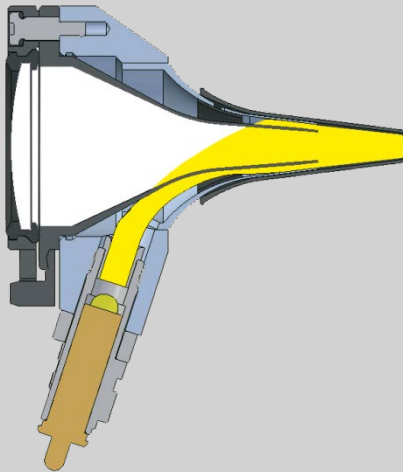
Benefit

- ∴ High resolution
- ∴ Distortion free images



∴ HEINE BETA® 200/400 LED F.O. Otoscopes

Performance Function Durability



Feature

Fiber Optic Illumination

Benefit

- ∴ Homogeneous, very bright illumination
- ∴ Unobstructed view of ear canal and tympanum



∴ HEINE BETA® 200/400 LED F.O. Otoscopes

Performance Function Durability

Feature



HEINE Otoscope Tips for single use or reusable

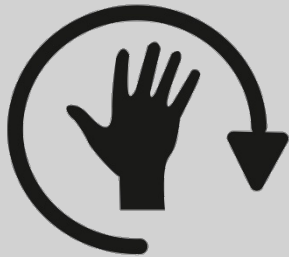
Benefit

- ∴ Most secure fit
- ∴ Best light transmission
- ∴ Hygiene



∴ HEINE BETA® 200/400 LED F.O. Otoscopes

Performance Function Durability



ONE-HAND
OPERATION

Feature

- ∴ One hand operation
- ∴ Permanently attached optical system

Benefit

- ∴ Easy instrumentation
- ∴ Easy cleaning



∴ HEINE BETA® 200/400 LED F.O. Otoscopes

Performance Function Durability

Feature



Integrated insufflation port

Benefit

For tympanic mobility testing without air leakage



∴ HEINE BETA® 200/400 LED F.O. Otoscopes

Performance Function Durability



Feature

- ∴ All metal housing
- ∴ Scratch resistant glass window

Benefit

- ∴ High quality materials
- ∴ Maintenance-free for a lifetime
- ∴ Easy cleaning
- ∴ Robust



∴ HEINE BETA[®] 200/400 LED F.O. Otoscopes

Performance Function Durability



Feature

5 years guarantee



∴ HEINE BETA® 200/400 LED F.O. Otoscopes Essentials



Exclusively at HEINE

- ∴ LED in HQ
- ∴ Precision HEINE optics
- ∴ Continuous brightness control
- ∴ BETA 400: 4.2x magnification

LED HQ

LED NOW IN HEINE QUALITY.



∴ **HEINE BETA[®] 200/400 LED F.O. Otoscopes**

More information?

www.heine.com

